

19" CHASSIS AND SUB RACK

SLIMKIT 10-FTTX

www.atd-elektronik.cz
www.atd-shop.com



MAIN FEATURES

- › Light construction
- › Installation in every 19" chassis or rack system
- › Variable depth thru movable 19" angle bracket
- › Provided to hold splice trays or LWL-cable termination
- › Telescopic and tiltable pull out tray
- › With cable storage
- › Option of cable fastening prepared
- › Option of cable entry prepared



Slimkit 10 – FTTx telescopic and depth-variable

SCOPE OF DELIVERY

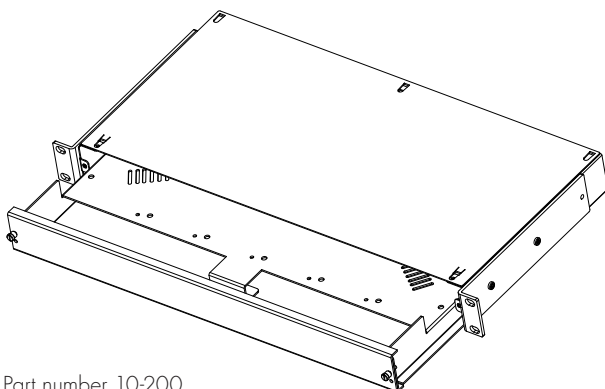
- › Steel sheet enclosure SVZ
- › Front profile aluminium
- › Reusable cardboard packaging

DIMENSIONS

- › 1U, 19", 220 mm depth

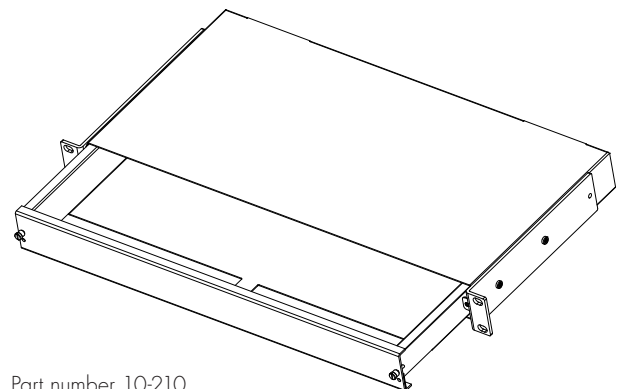
PRODUCT VARIETY

LWL – Distributor for splice trays



Part number 10-200

Distributor for fiber optic cable terminator



Part number 10-210